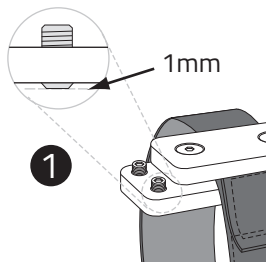
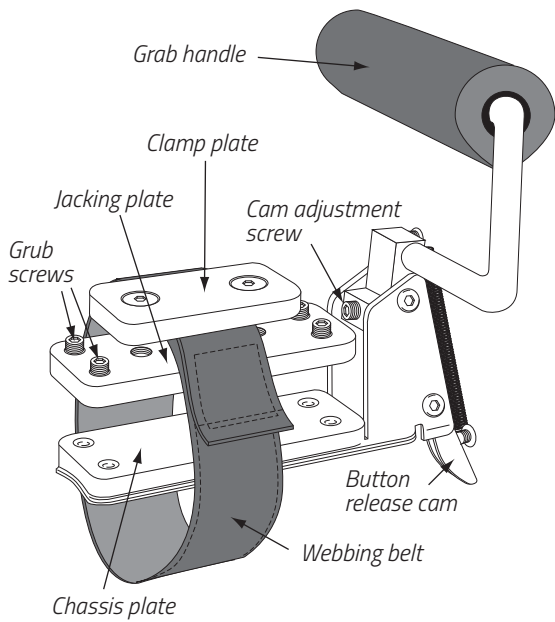
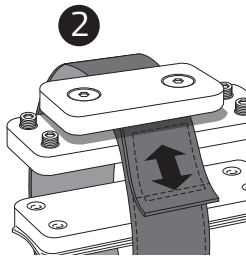


# Hand Brake Easy Release FITTING INSTRUCTION

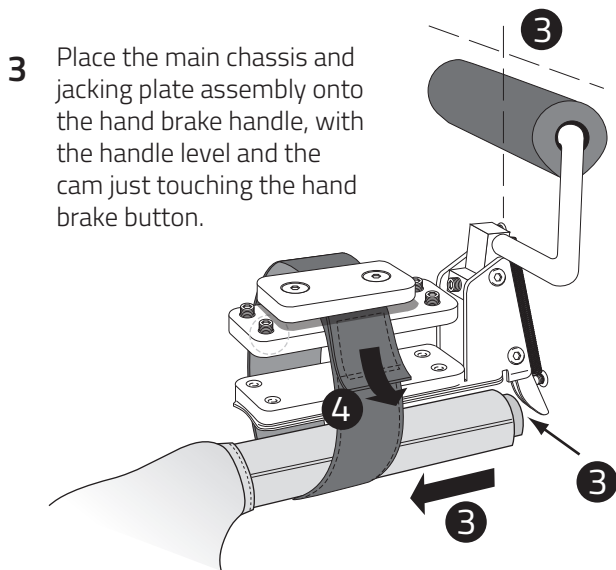
Installation requires a 3mm hex key.



**1** Ensure that the 4 jacking plate grub screws are protruding from the underside by approx. 1mm. This allows secure location on the chassis plate.



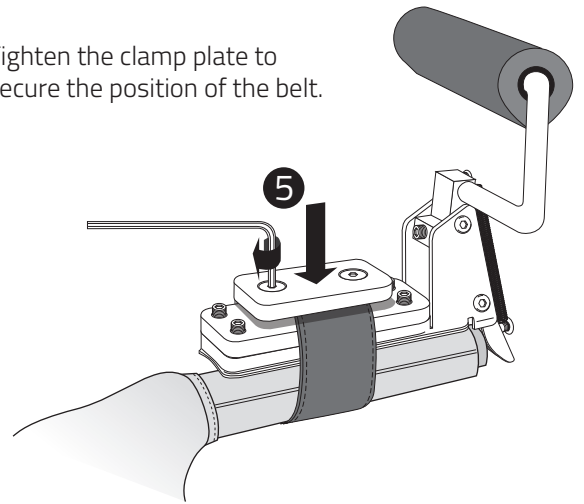
**2** Ensure that the clamp plate is loose so that the belt can be adjusted by hand.



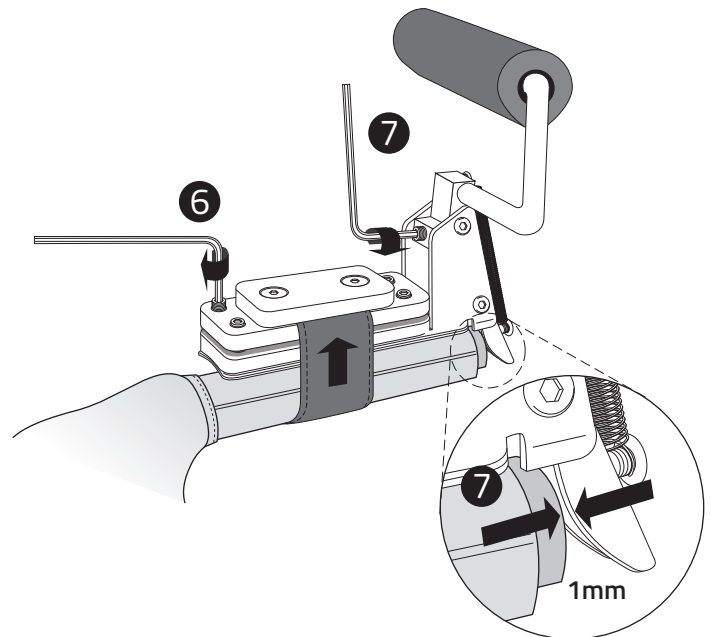
**3** Place the main chassis and jacking plate assembly onto the hand brake handle, with the handle level and the cam just touching the hand brake button.

**4** Pull the loose end of the webbing belt tight and secure with its own Velcro™ backing.

**5** Tighten the clamp plate to secure the position of the belt.



**6** Tighten the 4 jacking plate grub screws in sequence to secure the webbing belt around the hand brake. Ensure that these are equally tightened.



**7** Finely adjust the cam adjustment screw until there is approximately a 1mm gap between cam and hand brake button.